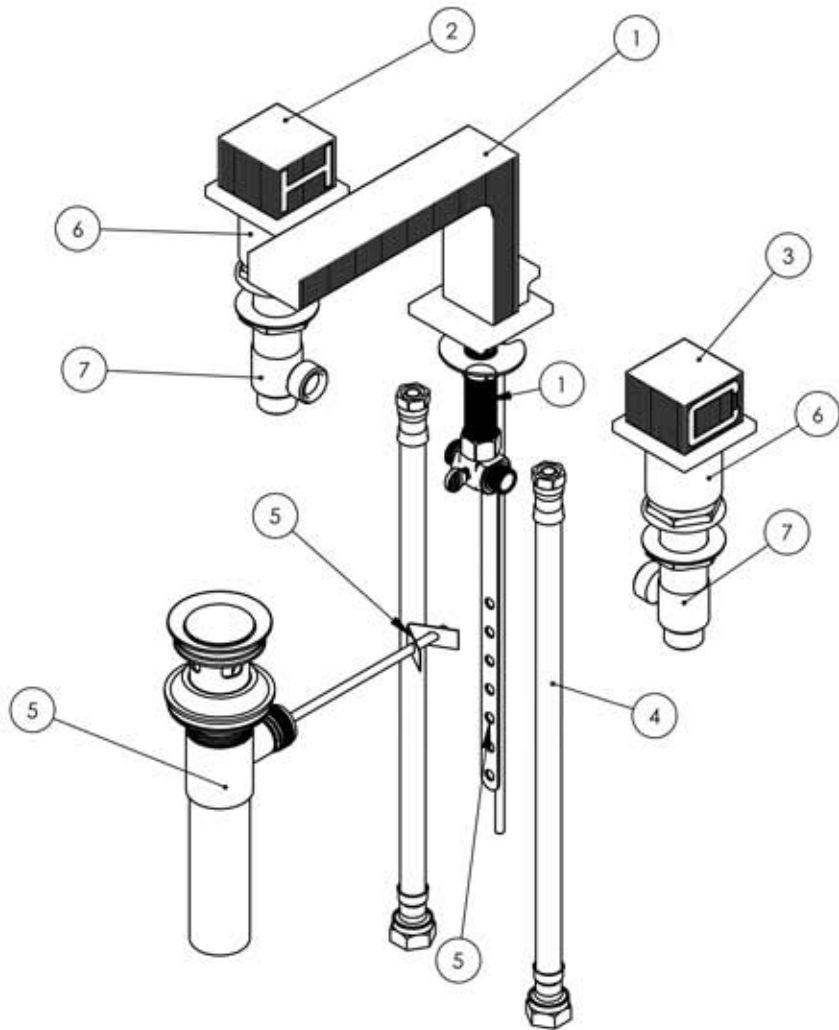


A

B

C

D



ITEM NO.	PART NUMBER	DESCRIPTION	QTY.
1	3-105/00	ASSY, SPOUT WIDESPREAD LAV RIBBED LOW	1
	10938/00	ESCUTCHEON, SPOUT LAV EDGE SERIES	1
	10946/00	SPOUT, WIDESPREAD LAV LOW EDGE	1
	92158	DOWEL PIN, 1/8" X 3/8"L	2
	10957/00	POP-UP KNOB, EDGE SERIES	1
	10719/00	POP-UP ROD, 10-24, 14" LONG	1
	10745	THREAD ALL, 3/8"-18 NPSL	1
	10746	NUT, 3/8"-18 NPSL	1
	1-112	TEE VALVE, 3/8" NPSM X 3/8" COMPRESSION	1
	10747	THREE WAY TEE, NL 3/8" COMP.	1
	10066	HEX SCREW SPUD	1
	10067	NUT, LOCKING 3/8"-18 NPSL WITH 3/4" HEX	1
	90011	O-RING, 5/16"ID X 7/16"OD X 1/16"THK, AS-568-011	1
	90514	RUBBER WASHER, 5/8"OD X 1/2"ID X .093"THK.	1
	10560	AERATOR, PCA CACHE 1.5GPM, M24X1.0 GREEN	1
	90031	O-RING, 1-3/4"ID X 1-7/8"OD X 1/16"THK, AS-568-031	1
	92174	WASHER MOUNT WIDESPREAD (3/8")	1
2	3-110/00	ASSY, HANDLE RIBBED CUBE HOT	1
	10937/00	ESCUTCHEON, HANDLE EDGE SERIES	1
	10931/00	HANDLE, "H" SQUARE/CUBE EDGE SERIES	1
	92176	WEAR WASHER	1
	92005	SET SCREW, CUP PT 6-32UNC THREAD 3/16"L	1
	92008	SET SCREW, CUP POINT 8-32	1
3	3-111/00	ASSY, HANDLE RIBBED CUBE COLD	1
	10937/00	ESCUTCHEON, HANDLE EDGE SERIES	1
	10930/00	HANDLE, "C" SQUARE/CUBE EDGE SERIES	1
	92176	WEAR WASHER	1
	92005	SET SCREW, CUP PT 6-32UNC THREAD 3/16"L	1
	92008	SET SCREW, CUP POINT 8-32	1

E

ZONE	REV.	DESCRIPTION	DATE	APPROVED
REVISIONS				

1261 LOGAN AVENUE COSTA MESA, CALIFORNIA 92626 PHONE: 714.361.4800 FAX: 714.617.3120	PHYLIRICH [®] Defining Luxury Since 1959	PROPRIETARY AND CONFIDENTIAL	THE INFORMATION CONTAINED IN THIS DRAWING IS THE SOLE PROPERTY OF RISS MANUFACTURING. ANY REPRODUCTION IN PART OR AS A WHOLE WITHOUT THE WRITTEN PERMISSION OF RISS MANUFACTURING IS PROHIBITED.
-----------------------------------------------------------------------------------------------	-------------------------------------------------------------	-------------------------------------	--------------------------------------------------------------------------------------------------------------------------------------------------------------------------------------------------

-		-		INTERPRET GEOMETRIC DIMENSIONING & TOLERANCING IN ACCORDANCE WITH ASME Y14.5-2009 & ASME Y14.41-2003 STANDARDS, UNLESS OTHERWISE SPECIFIED. DIMENSIONS ARE IN INCHES. TOLERANCES ARE:			WIDESPREAD FAUCET, LOW SPOUT, CUBE HANDLE, STRIA SERIES		
NEXT ASSY		USED ON		FRACTIONS ±1/64"	DECIMALS X.X: ±.1 X.XX: ±.01 X.XXX: ±.005	ANGULAR ±5°			
MATERIAL		APPLICATION			NAME	DATE	A	291L-04/00	
FINISH				DRAWN		6/2/2013			
				DO NOT SCALE DRAWING	CHECKED		SCALE: 1:8	WEIGHT: lbs.	SHEET 1 OF 3

5

4

3

2

1